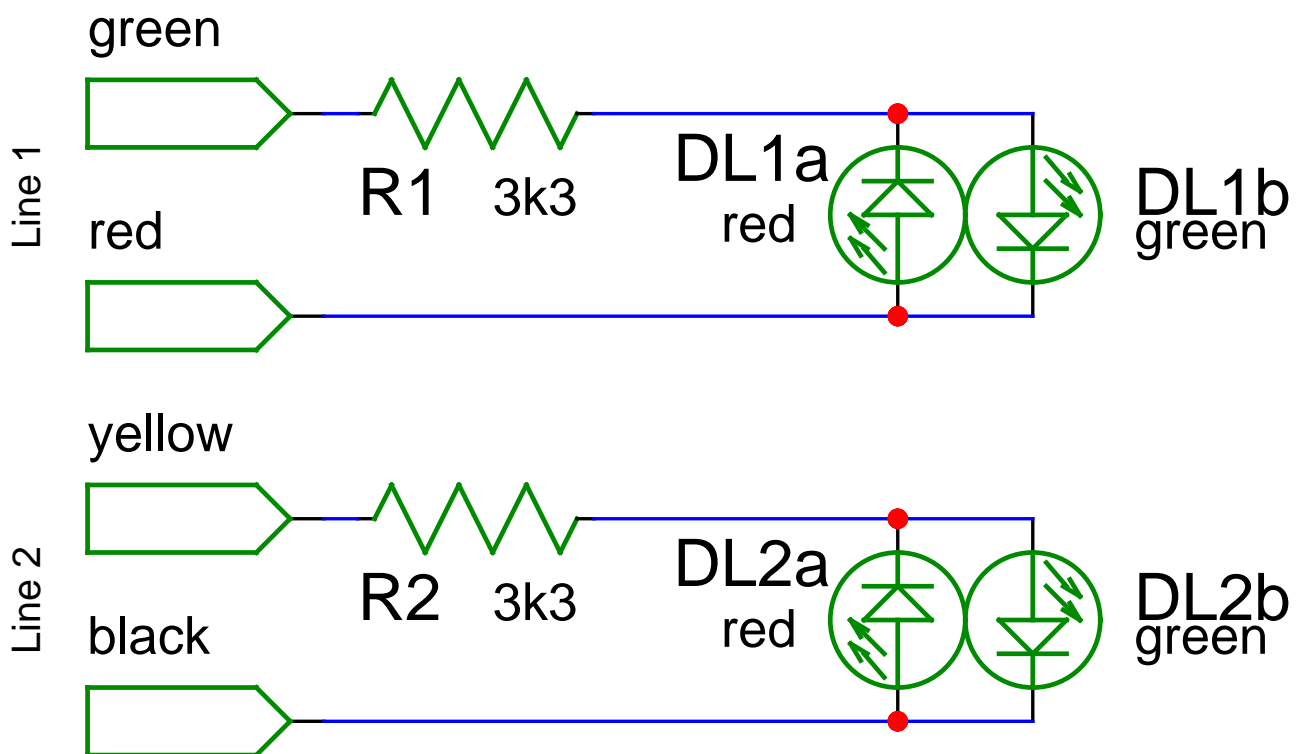


# Dual Phone Line Polarity Tester



Line 1 wires are green+red, Line 2 are yellow+black.  
LED's are usually dual, but a pair of singles would work.  
Phone plug wiring (looking into, clip down):

yellow, green, red, black

Some LED's have poor reverse characteristics and may blow with too much reverse voltage. Add a regular rectifier diode in series (each schematic arrow points the same way as the LED) to protect them if necessary.

Usage:

Off: disconnected line.

Green: line active, polarity correct.

Red: line active, polarity incorrect.

Both/Yellow: AC voltage on the line (dangerous).