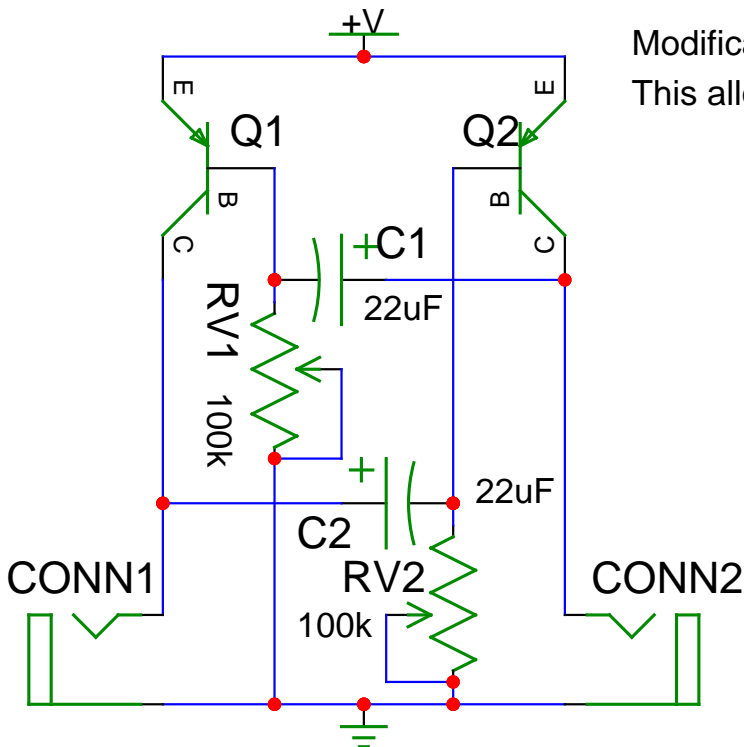


Dual LED Flasher (free running multi-vibrator)  
 This circuit triggers itself repeatedly and endlessly.  
 The LED's flash alternately.

Increasing C1 or C2 will slow them down.  
 Increasing RV1 or RV2 will slow them down.



Modification. Replace LED's with connectors.  
 This allows for alternating remote control of an object.