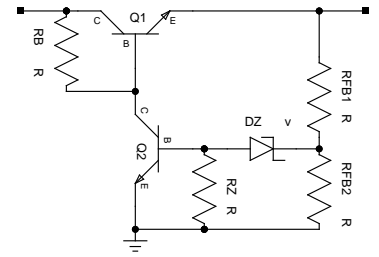
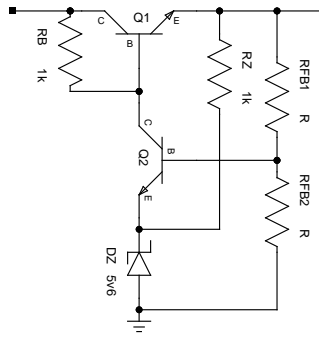
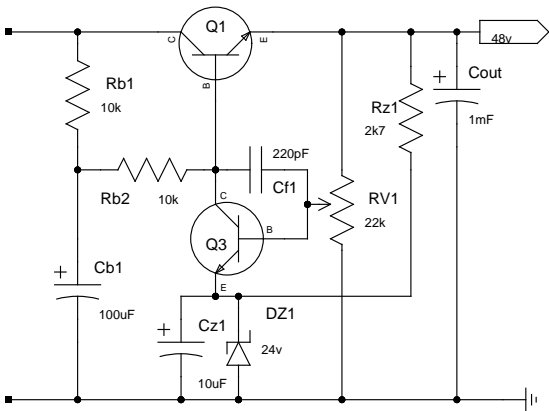
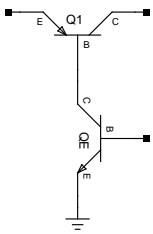


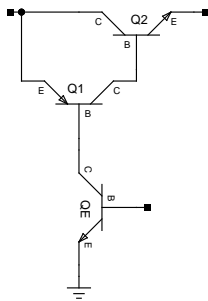
Simple Transistor Voltage Regulators



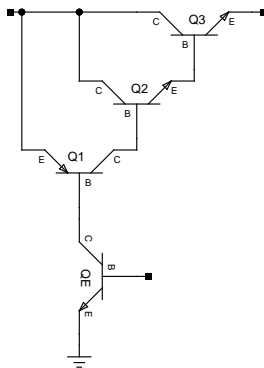
Standard Regulator Segments (LDO, Quasi-LDO, Regular)



$$V_{drop} = V_{ce}$$



$$V_{drop} = V_{be} + V_{ce}$$



$$V_{drop} = 2 \cdot V_{be} + V_{ce}$$

Cleaner Zener RC Filter

