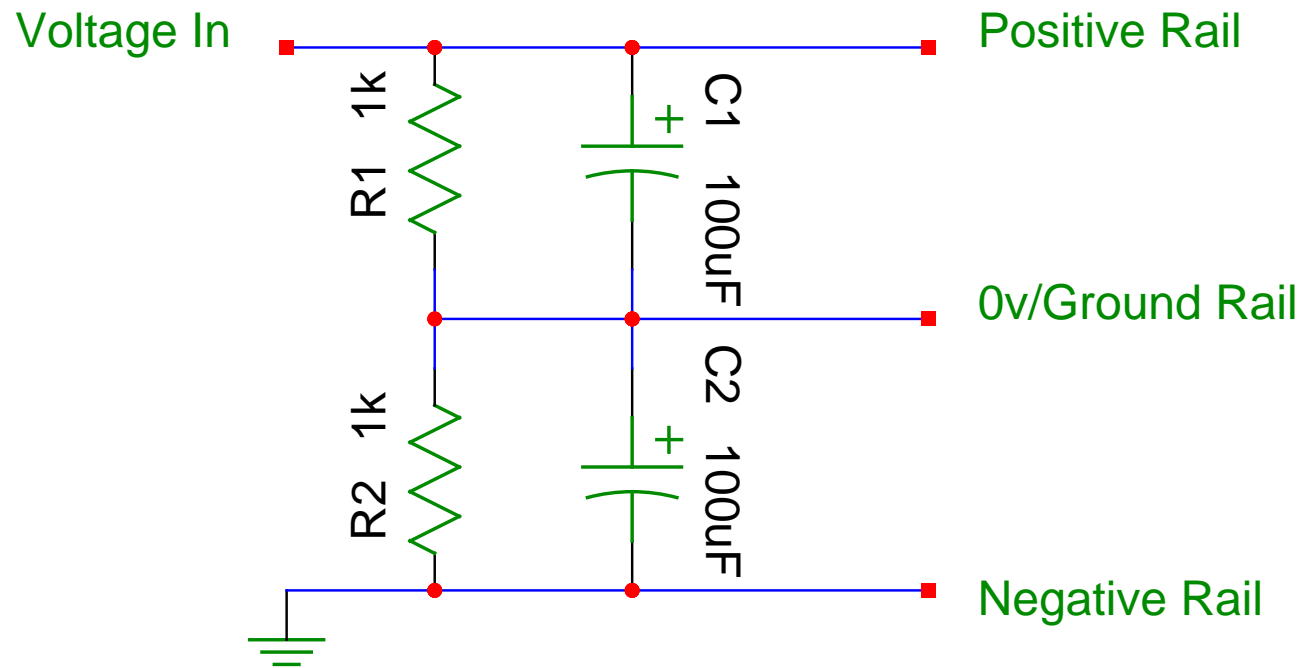


Power Supply -- Dual Rail -- Voltage Divider



This is a quick and simple way of getting a dual rail voltage supply.

This is suitable for small applications (like op amps) that need a negative rail.

This is not regulated. If regulation is needed, add the voltage regulator circuit before this.

The given values do not have to be used. $R1=R2$ and $C1=C2$ for all variations.

Increase capacitor size as needed. Increase resistor wattage for heavier loads.

Ground Rail to the other rail will be half of the supply voltage (hence the name "divider").

Positive Rail to Negative Rail will be the full supply voltage value.