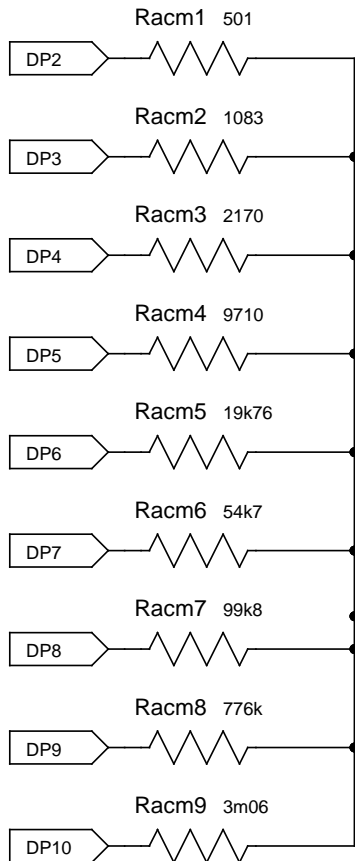


Auto-Capacitance

Meter Schematic

Charge Resistors



Notes:

Values shown are the values in the source code. Your values will be different.

Carefully meter Racm* resistors for accuracy.

The J-Clips will either be a header or alligator clips to attach the test capacitor to. Note the polarity.

The LCD is optional but recommended.

RLCD may already be soldered to the LCD board. Meter it to find out.

